



PARTS MAP

Model: _____

Serial Number: _____

Notes: _____

Air Handling Section

- 1 Fan Guard
- 2 Fan Cowl
- 3 Axial Fan Assembly (see detailed view)
- 4 Davit Fan Assembly (optional)
- 5 Mechanical Access Door

Air Handling Section

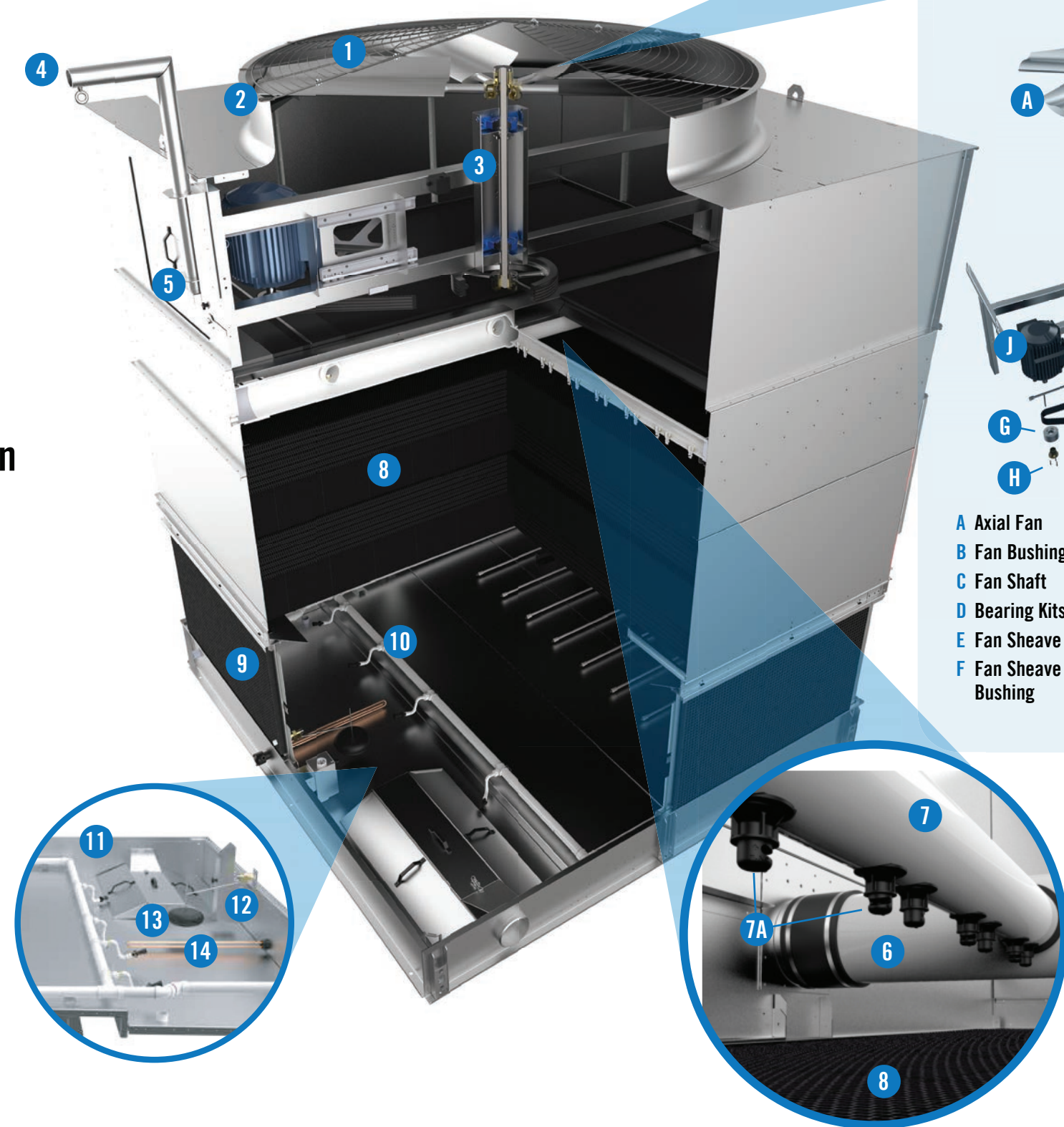
- 6 Spray Branch Heater
- 7 Spray Branch
- 7A CF Nozzles
- 8 BACPak™ Fill

Water Collection Section

- 9 Inlet Louvers
- 10 Sump Sweeper Piping (optional)
- 11 Strainer Assembly
- 12 Make-up Valve Assembly
- 13 Float Ball
- 14 Basin Heater

PT2 Cooling Tower

Internal Motor Configuration



Axial Fan Assembly



- | | |
|----------------------|--------------------------------|
| A Axial Fan | G Motor Sheave |
| B Fan Bushing | H Motor Sheave Bushing |
| C Fan Shaft | I Belt Set |
| D Bearing Kits | J Fan Motor |
| E Fan Sheave | K Motor Base & Adjustment Rod |
| F Fan Sheave Bushing | L Mechanical Equipment Support |



Find my BAC Rep to order parts, get maintenance tips, and get a free unit inspection: www.baltimoreaircoil.com/RepFinder

Quantities may vary according to the unit. Applicable 2014-Present.



PARTS MAP

Model: _____

Serial Number: _____

Notes: _____

Air Handling Section

- 1 Fan Guard
- 2 Fan Cowl
- 3 Axial Fan Assembly (see detailed view)
- 4 Davit Arm Assembly (optional)
- 5 Mechanical Access Door

Heat Transfer Section

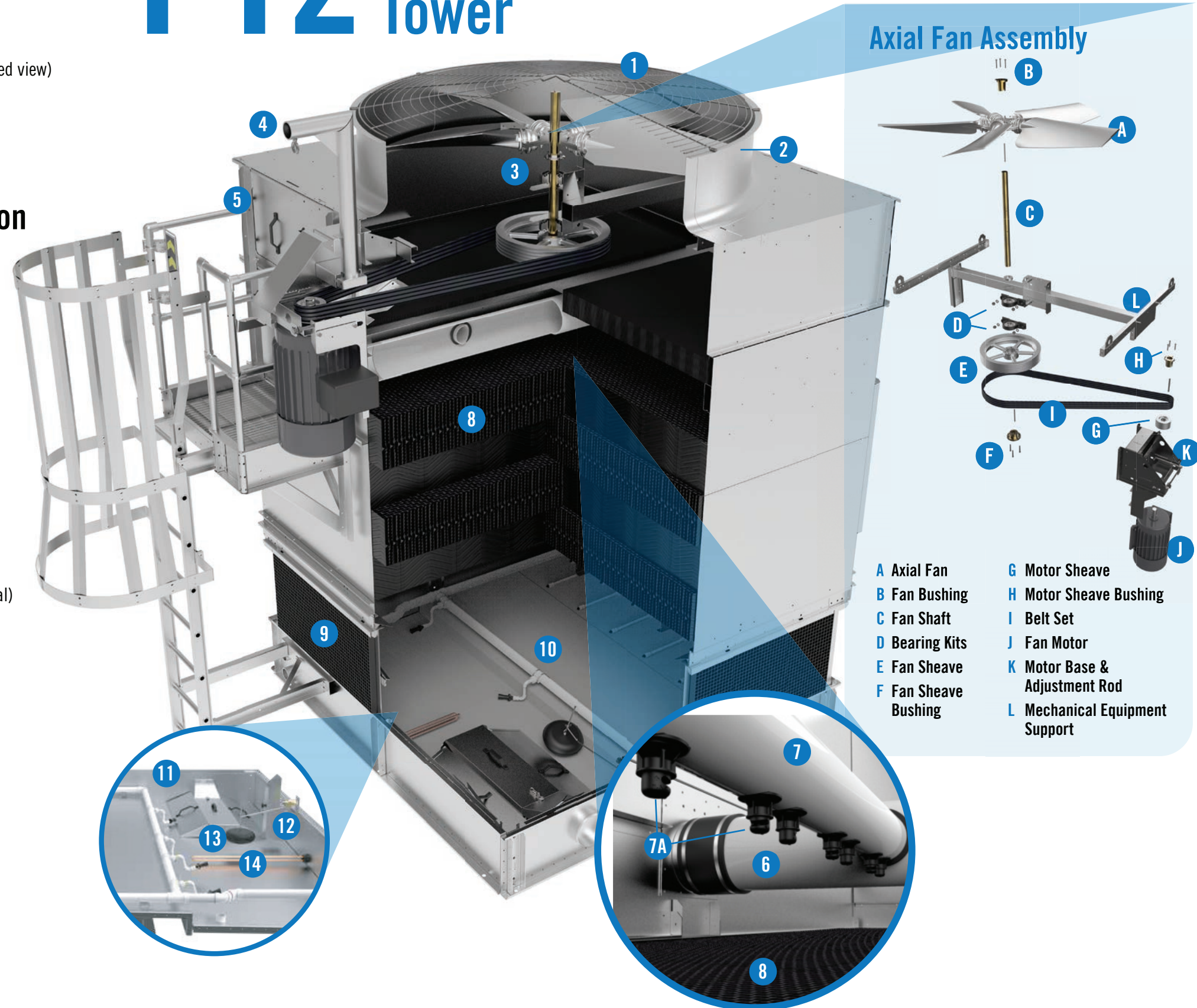
- 6 Spray Branch Heater
- 7 Spray Branch
- 7A CF Nozzles
- 8 BACPak™ Fill

Water Collection Section

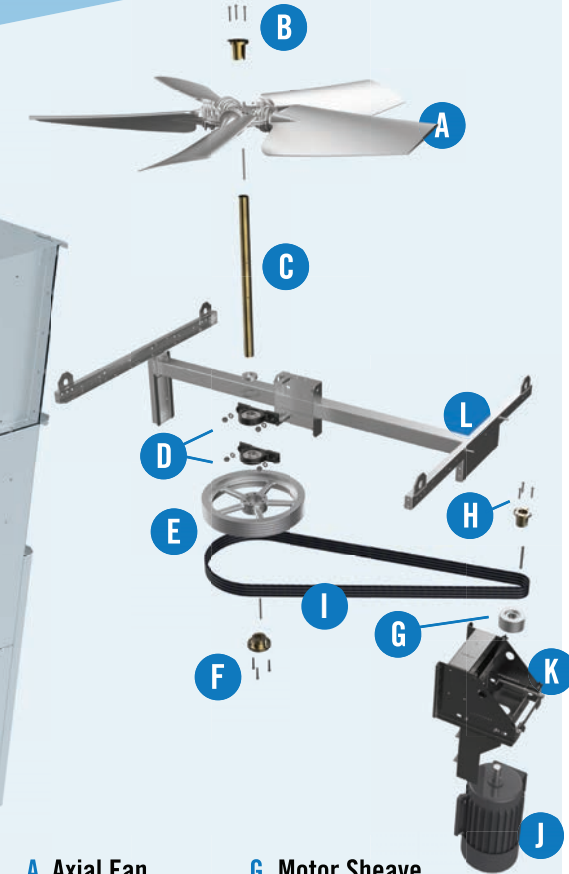
- 9 Inlet Louvers
- 10 Sump Sweeper Piping (optional)
- 11 Strainer Assembly
- 12 Make-up Valve Assembly
- 13 Float Ball
- 14 Basin Heater

PT2 Cooling Tower

External Motor Configuration



Axial Fan Assembly



- | | |
|----------------------|--------------------------------|
| A Axial Fan | G Motor Sheave |
| B Fan Bushing | H Motor Sheave Bushing |
| C Fan Shaft | I Belt Set |
| D Bearing Kits | J Fan Motor |
| E Fan Sheave | K Motor Base & Adjustment Rod |
| F Fan Sheave Bushing | L Mechanical Equipment Support |



Find my BAC Rep to order parts, get maintenance tips, and get a free unit inspection: www.baltimoreaircoil.com/RepFinder

Quantities may vary according to the unit. Applicable 2014-Present.